



Part No. 23107

NQP NOVA

Powerful, advanced and built for professional driving performance. The NQP NOVA combines high-output illumination with modern lighting technology, featuring dynamic start-up, white and amber position light, amber backlight and selectable E-Mode or Boost Mode. With up to 14,000 lumens, durable die-cast aluminum construction and IP67/IP69 protection, the NOVA is designed for demanding on-road and off-road applications where visibility and reliability are essential.



UP TO 14 000
LUMENS



150 - 240 W
10-30 V

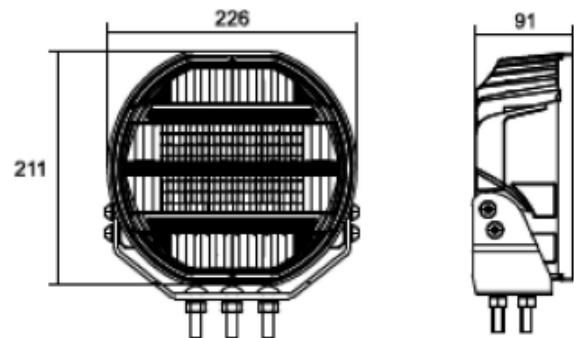


IP67 / IP69
RATED

SPECIFICATIONS

Voltage	10-30 V DC
Theoretical power	240 W (Boost Mode) / 25 W (E-Mode)
Power Consumption	150 W (Boost Mode) / 20 W (E-Mode)
Light output	Up to 14 000 lm (Boost Mode) / 2 600 lm (E-Mode)
Beam distance (each)	1 lux @ 906 m (Boost Mode) / 1 lux @ 403 m (E-Mode)
Beam distance (pair)	1 lux @ 1268 m (Boost Mode) / 1 lux @ 568 m (E-Mode)
Position light	White & Amber
Backlight	Amber
Functions	Dynamic start, E-Mode, Boost Mode
Connector	DT-6 Connector
Housing material	Die-cast aluminium
Lens material	Surface hardening polycarbonate
IP-class	IP67 / IP69
Approvals	ECE R148, R149, R10
Dimensions	226 x 211 x 91 mm
Article number	23107

DIMENSION BLUEPRINT



BEAM PATTERN

